

SQH2510S SERIES ~ Low Profile Semi Power Inductors

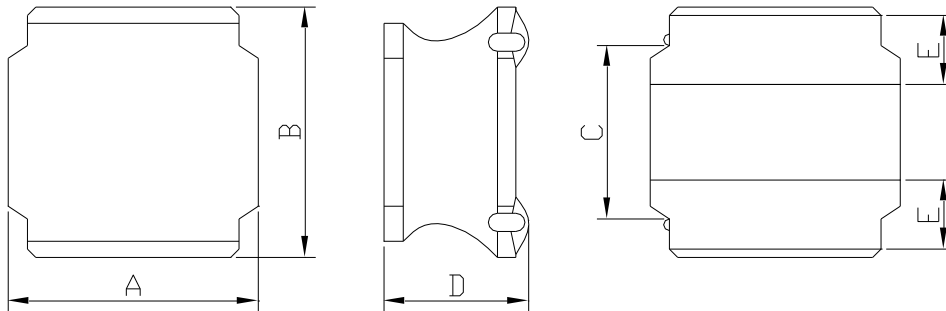


PART NUMBERING SYSTEM

SQH	2510S	—	4R7M	—	LF
TYPE	DIMENSIONS		INDUCTANCE		LEAD FREE

SHAPES AND DIMENSIONS

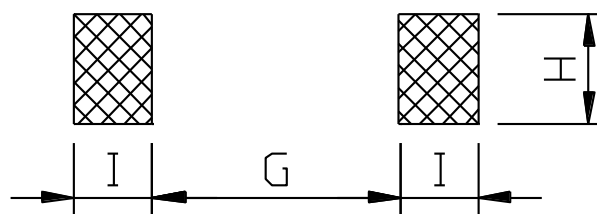
UNIT : mm



A=2.7 Max. B=2.3 Max. D=1.0 Max

RECOMMENDED PATTERNS

UNIT : mm



G=0.9 Ref. H=2.0 Ref. I=0.8 Ref.

FEATURES

1. Very small power inductor - only 1.0 mm high, 2.5 mm square.
2. Handles current up to 2.50 Asat, 2.65 Arms
3. Inductance range from 0.47uH to 10uH
4. RoHS-compliant – 260°C compatible

SQH2510S SERIES ~ Low Profile Semi Power Inductors



SPECIFICATION TABLE

PART NUMBER	INDUCTANCE (μ H)	DCR (m Ω) (Max.)	DCR (m Ω) (Max.)	Isat (mA)	Irms (mA)	Test Freq.
SQH2510S-R47N-LF	0.47 \pm 30%	46	38	2.50	2.65	100KHz/1V
SQH2510S-R68N-LF	0.68 \pm 30%	62	52	2.05	2.20	100KHz/1V
SQH2510S-1R0N-LF	1.0 \pm 30%	84	70	1.75	1.90	100KHz/1V
SQH2510S-1R5N-LF	1.5 \pm 30%	128	107	1.45	1.50	100KHz/1V
SQH2510S-2R2M-LF	2.2 \pm 20%	190	158	1.20	1.20	100KHz/1V
SQH2510S-3R3M-LF	3.3 \pm 20%	275	229	0.94	1.00	100KHz/1V
SQH2510S-4R7M-LF	4.7 \pm 20%	398	332	0.80	0.82	100KHz/1V
SQH2510S-6R8M-LF	6.8 \pm 20%	532	443	0.68	0.71	100KHz/1V
SQH2510S-100M-LF	10 \pm 20%	854	712	0.56	0.55	100KHz/1V

- Inductance is measured in HP-4285A Precision LCR Meter.
- Isat: DC current at which the inductance drops 30% (typ) from its value without current.
- Irms: Based on temperature rise (Δ T : 40 $^{\circ}$ C TYP.)
- Operating temperature range -40 $^{\circ}$ C to +105 $^{\circ}$ C
- Electrical specifications at 25 $^{\circ}$ C.